

# TMX20-2

## MINI EXCAVATOR

**Engine power** : 28HP @ 2000 rpm

**Operating weight** : 2200 kg

**Bucket capacity** : 0.04 m<sup>3</sup> - 0.12m<sup>3</sup>  
0.07 m<sup>3</sup> (Std.)

**TATA HITACHI**

Reliable solutions

## The Mini Marvel



**INDIA'S FIRST COMPACT EXCAVATOR**

**INDIA'S FIRST EXCAVATOR WITH BOOM SWIVEL**

**BEST IN CLASS FUEL EFFICIENCY**

**SERVES A VARIETY OF APPLICATIONS**



# SPECIFICATIONS

## ENGINE

Make.....Simpson  
 Model.....S217  
 Type.....Water cooled, 2 Cyl. Inline  
 Rated Flywheel Power.....28 PS @ 2000 rpm  
 Max. Torque.....10.9kgf-m @ 1400 rpm  
 Battery.....12 V

## HYDRAULIC SYSTEM

Main Pumps.....One gear pump  
 Flow Rate.....63.6 lpm

## SUPER STRUCTURE

Swing Speed.....11 rpm  
 Boom Swing Angle..... Standard .....Left 50°, Right 90°  
 Optional.....Left 90°, Right 50°

## RELIEF VALVE SETTINGS

Implement Circuit.....150 kgf/cm<sup>2</sup>  
 Swing Circuit.....145 kgf/cm<sup>2</sup>  
 Travel Circuit.....150 kgf/cm<sup>2</sup>  
 Pilot Circuit.....25 kgf/cm<sup>2</sup>

## UNDERCARRIAGE

Shoe Width.....280 mm  
 No. of Track Shoes.....36 x 2  
 No. of Upper Rollers.....1 x 2  
 No. of Lower Rollers.....3 x 2

## SERVICE REFILL CAPACITIES

Hydraulic System.....70 ltr  
 Hydraulic Tank.....45 ltr  
 Fuel Tank.....37 ltr  
 Engine Coolant.....7.5 ltr  
 Engine Oil......05 ltr  
 Travel Device (Each Side).....0.8 ltr

## WEIGHTS AND GROUND PRESSURE

Operating Weight.....2200 kg  
 Ground Pressure.....0.30 kg/cm<sup>2</sup>

## BACKHOE ATTACHMENT

Boom.....1900 mm  
 Arm.....1000 mm

Authorised Dealer



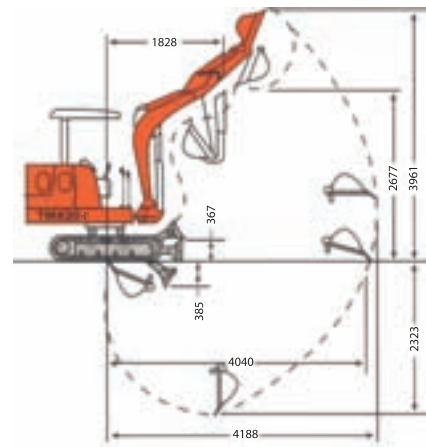
## BUCKETS

Capacity (PCSA)	Width with Side Cutters	Width w/o Side Cutters	Weight	No. of Tooth Points
0.04 m <sup>3</sup>	350 mm	310 mm	42.5 kg	3
0.07 m <sup>3</sup>	530 mm	490 mm	55 kg	4
0.09 m <sup>3</sup>	530 mm	490 mm	66 kg	4
0.12 m <sup>3</sup>	-	535 mm	71.3 kg	0

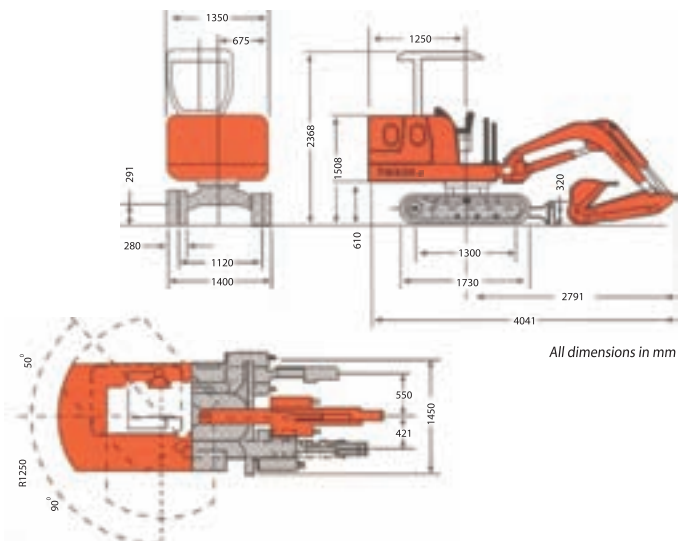
## DIGGING FORCES

Arm Crowd Force.....1300 kgf  
 Bucket Digging Force.....1890 kgf

## WORKING RANGE



## DIMENSIONS



All dimensions in mm

## Tata Hitachi Construction Machinery Company Limited

Registered Office: Jubilee Building 45 Museum Road Bangalore 560 025 India  
 Telephone: +91 80 66953301 02 03 04 05 Fax: +91 80 66953309 25325792  
 Email: tatahitachi@tatahitachi.co.in Website: www.tatahitachi.co.in

Toll Free : 1800 3456 500

The Specifications are subject to change without prior notice. Please contact our nearest office for latest specifications. Accessories shown here are not part of the standard equipment. Performance of the machine may vary with site and operating conditions encountered

